



Model Number

RL31-54/73c/136

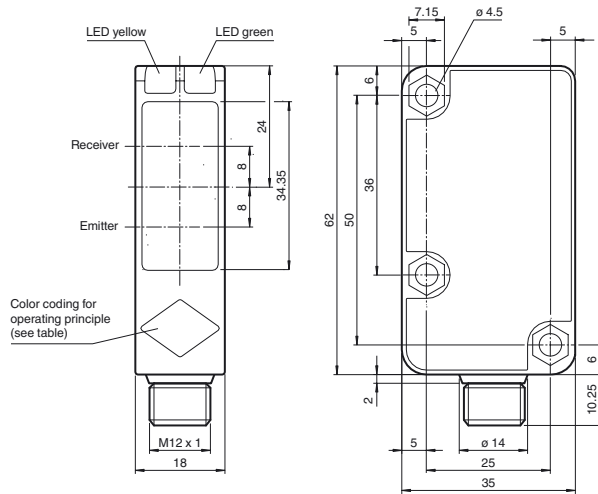
Retroreflective sensor
with 4-pin, M12 x 1 connector

Features

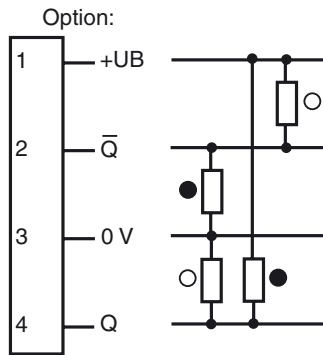
- Compact and stable housing
- Glare protected with polarization filter
- Highly visible LED
- Powerful push-pull output
- Protection class II

Dimensions

| | |
|---|-------|
| Operating principle | color |
| Retroreflective sensor with polarisation filter | green |
| Retroreflective sensor | blue |
| Diffusive mode sensor | white |
| Thru-beam sensor | grey |
| Diffusive mode sensor with background suppression | red |

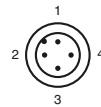


Electrical connection



○ = Light on
● = Dark on

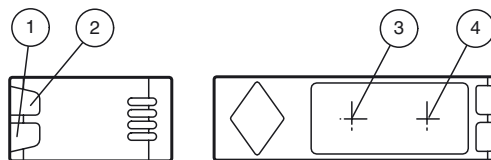
Pinout



Wire colors in accordance with EN 60947-5-2

| | | |
|---|----|---------|
| 1 | BN | (brown) |
| 2 | WH | (white) |
| 3 | BU | (blue) |
| 4 | BK | (black) |

Indicators/operating means



| | | |
|---|-------------------|--------|
| 1 | Operating display | green |
| 2 | Signal display | yellow |
| 3 | Emitter | |
| 4 | Receiver | |

Release date: 2017-03-14 11:38 Date of issue: 2017-03-14 183811_eng.xml

Technical data**General specifications**

| | |
|----------------------------|--------------------------------------|
| Effective detection range | 0 ... 9000 mm |
| Reflector distance | 20 ... 9000 mm |
| Threshold detection range | 12 m |
| Reference target | reflector C110-2 |
| Light source | LED |
| Light type | modulated visible red light , 630 nm |
| Polarization filter | yes |
| Diameter of the light spot | approx. 200 mm at a distance of 6 m |
| Angle of divergence | 3 ° |
| Ambient light limit | 50000 Lux ; according EN 60947-5-2 |

Functional safety related parameters

| | |
|--------------------------------|-------|
| MTTF _d | 920 a |
| Mission Time (T _M) | 20 a |
| Diagnostic Coverage (DC) | 0 % |

Indicators/operating means

| | |
|---------------------|---|
| Operation indicator | LED green: power on |
| Function indicator | LED yellow: 1. LED lit constantly: signal > 2 x switching point (function reserve) 2. LED flashes: signal between 1 x switching point and 2 x switching point 3. LED off: signal < switching point |

Electrical specifications

| | | |
|------------------------|----------------|----------------|
| Operating voltage | U _B | 10 ... 30 V DC |
| Ripple | | 10 % |
| No-load supply current | I ₀ | ≤ 20 mA |

Output

| | | |
|---------------------|---|----------|
| Switching type | dark on | |
| Signal output | 2 push-pull (4 in 1) outputs, short-circuit protected, reverse polarity protected | |
| Switching voltage | max. 30 V DC | |
| Switching current | max. 100 mA | |
| Voltage drop | U _d | ≤ 1.5 V |
| Switching frequency | f | ≤ 500 Hz |
| Response time | | ≤ 1 ms |

Ambient conditions

| | |
|---------------------|--------------------------------|
| Ambient temperature | -30 ... 55 °C (-22 ... 131 °F) |
| Storage temperature | -40 ... 70 °C (-40 ... 158 °F) |

Mechanical specifications

| | |
|----------------------|--------------------------|
| Degree of protection | IP67 |
| Connection | 4-pin, M12 x 1 connector |
| Material | |
| Housing | plastic |
| Optical face | PMMA |
| Mass | 24 g |

Compliance with standards and directives

| | |
|----------------------|---|
| Directive conformity | EMC Directive 2004/108/EC |
| Standard conformity | |
| Product standard | EN 60947-5-2:2007 IEC 60947-5-2:2007 |

Approvals and certificates

| | |
|------------------|---|
| EAC conformity | TR CU 020/2011 |
| Protection class | II , rated insulation voltage ≤ 250 V AC with pollution degree 1-2 according to IEC 60664-1 Output circuit basis insulation of input circuit according to EN 50178, rated insulation voltage 240 V AC |
| UL approval | cULus Listed, Class 2 Power Source, Type 1 enclosure |
| CCC approval | CCC approval / marking not required for products rated ≤36 V |

Accessories

OMH-RL31-01
Mounting bracket

OMH-RL31-02
Mounting bracket narrow

OMH-RL31-03
Mounting bracket narrow

OMH-RL31-04
Mounting aid for round steel ø 12 mm or sheet 1.5 mm ... 3 mm

OMH-RL31-05
Mounting bracket with M10 threaded rod

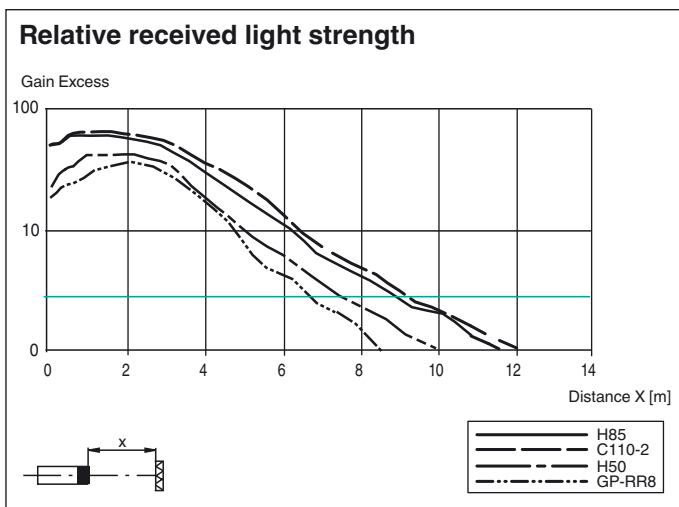
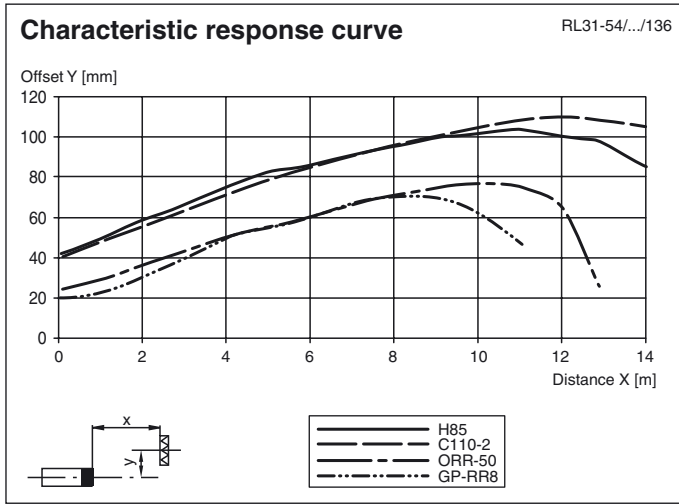
OMH-RL31-06
Stainless steel mounting bracket with adjustable half clamp on the side

V1-G-2M-PUR
Female cordset, M12, 4-pin, PUR cable

V1-W-2M-PUR
Female cordset, M12, 4-pin, PUR cable

Other suitable accessories can be found at www.pepperl-fuchs.com

Curves/Diagrams



Release date: 2017-03-14 11:38 Date of issue: 2017-03-14 183811_eng.xml

Refer to "General Notes Relating to Pepperl+Fuchs Product Information".

Pepperl+Fuchs Group
www.pepperl-fuchs.com

USA: +1 330 486 0001
fa-info@us.pepperl-fuchs.com

Germany: +49 621 776 4411
fa-info@de.pepperl-fuchs.com

Singapore: +65 6779 9091
fa-info@sg.pepperl-fuchs.com