



Model Number

M30K-VE

Features

- For insulated mounting

Description

Plastic nuts with centering ring for the vibration-free mounting of cylindrical sensors.

These plastic nuts must be used in applications where a sensor is to be screwed into the front third of the housing sleeve and operated at temperatures of < 0 °C.

Technical Data

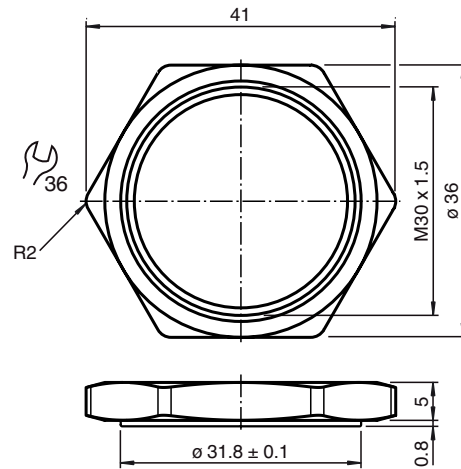
Mechanical specifications

Material	Polyamide (PA)
Construction type	Threading M30 , wrench size 36

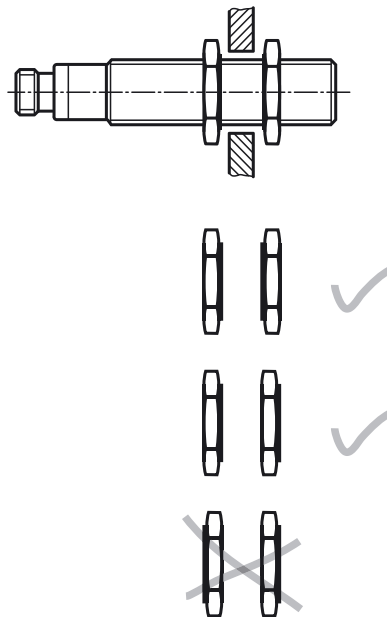
General information

Packing unit	2 item(s)
--------------	-----------

Dimensions



Installation Hint



Release date: 2013-12-09 14:41 Date of issue: 2013-12-09 18:656_eng.xml