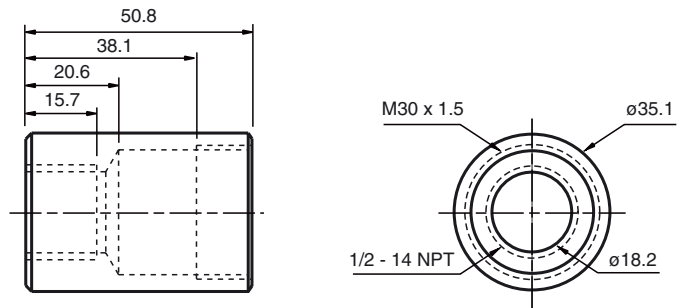




## Dimensions



## Technical data

### Mechanical specifications

Material Stainless steel 1.4305 / AISI 303

### Model Number

**M 30-1/2" NPT SS**

Conduit adapter

### Features

- Converts 30 mm diameter to 1/2 inch NPT conduit
- For use with 30 mm diameter sensors