



Model Number

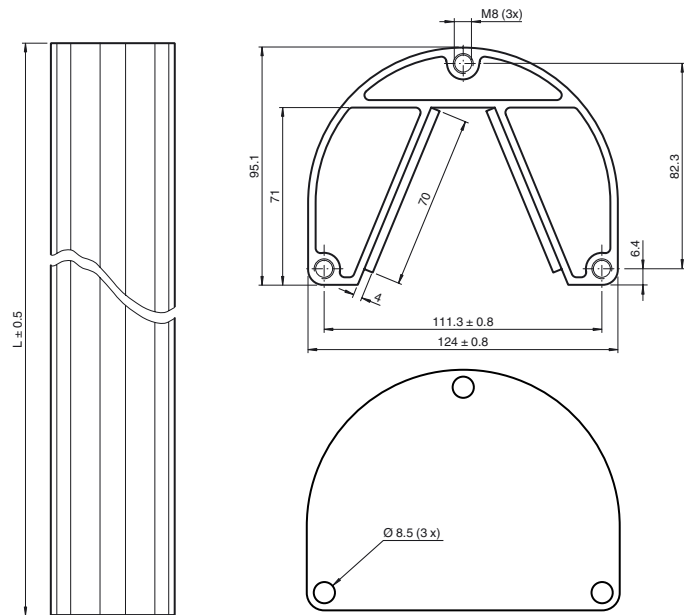
SLCT-M-01-2100

Inclined mirror for stable 90° deflection with cover plate

Features

- Rotation-invariant deflection of a light beam by 90° in the plane of incidence, making it highly vibration-resistant
- Translation-free deflection with no lateral beam shift with OMH-SLCT-200 floor mount
- Silver-coated mirror glass
- Mirror glass with low light absorption
- Up to Ø 48 mm pencil of rays in the plane of incidence

Dimensions



Technical data

General specifications

Setting angle	± 5 ° with product OMH-SLCT-200
Tilting angle	± 2.5 ° with product OMH-SLCT-200

Ambient conditions

Ambient temperature	-40 ... 80 °C (-40 ... 176 °F)
Storage temperature	-40 ... 80 °C (-40 ... 176 °F)
Relative humidity	80 % , noncondensing

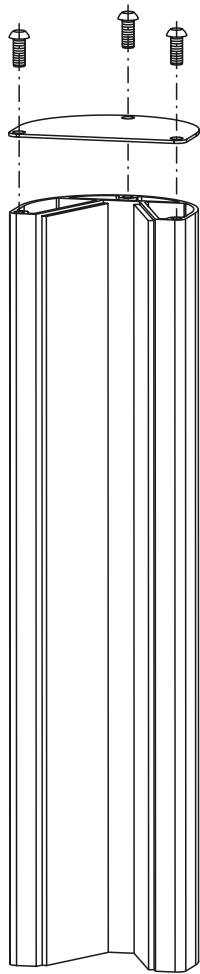
Mechanical specifications

Housing length L	2080 mm
Material	
Housing	anodized aluminum ; glass
Mass	approx. 12.7 kg

General information

Scope of delivery	Inclined mirror, cover plate The three fillister head screws for the cover plate are supplied with the floor mount
-------------------	---

Mechanical arrangement



Matching system components

- SB4-OR-4XP-B-4159**
Safety control unit
- SB4-OR-4XP**
Safety control unit
- SB4-OR-4XP-B**
SB4 series safety control unit with 1 optional module slot for functional enhancement
- SB4-OR-4XP-B-B**
SB4 series safety control unit with optional module slots for functional enhancement
- SB4-OR-4XP-B-B-B**
SB4 series safety control unit with optional module slots for functional enhancement
- SB4-OR-4XP-B-B-B-B**
SB4 series safety control unit with optional module slots for functional enhancement
- SB4-OR-4XP-B-B-B-B-B**
SB4 series safety control unit with optional module slots for functional enhancement
- SB4-OR-4XP-B-4158**
Safety control unit
- SB4-OR-4XP-3819**
Safety control unit
- SB4-OR-4XP-4M**
Safety control unit
- SB4-OR-4XP-4MD**
Safety control unit
- SB4-OR-4XP-4M-4X-4135**
Safety control unit
- SB4-OR-4XP-4M-4136**
Safety control unit of series SB4
- SB4-OR-4XP-4X**
Safety control unit
- SB4-OR-4XP-4X-3819**
Safety control unit
- SB4-OR-4XP-4136**
Safety control unit of series SB4

Application

The inclined mirror is arranged so that light beams from the emitter can be deflected to the receiver. To deflect the protection field through 90°, the inclined mirror is positioned at an angle of 45°. When aligning the layout, ensure that all components are arranged vertically and at the same height. To roughly align the inclined mirror, turn it so that you can see the receiver reflected in the mirror when looking at it with the emitter behind you.

Accessories

- OMH-SLCT-200**
Floor mount

Release date: 2017-10-04 10:00 Date of issue: 2017-10-04 251604_eng.xml